

1

2

3

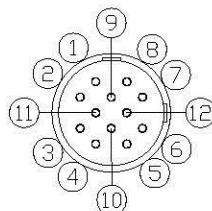
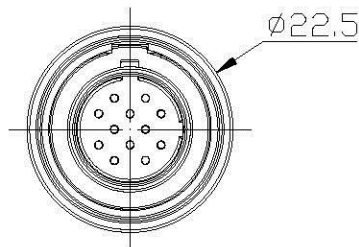
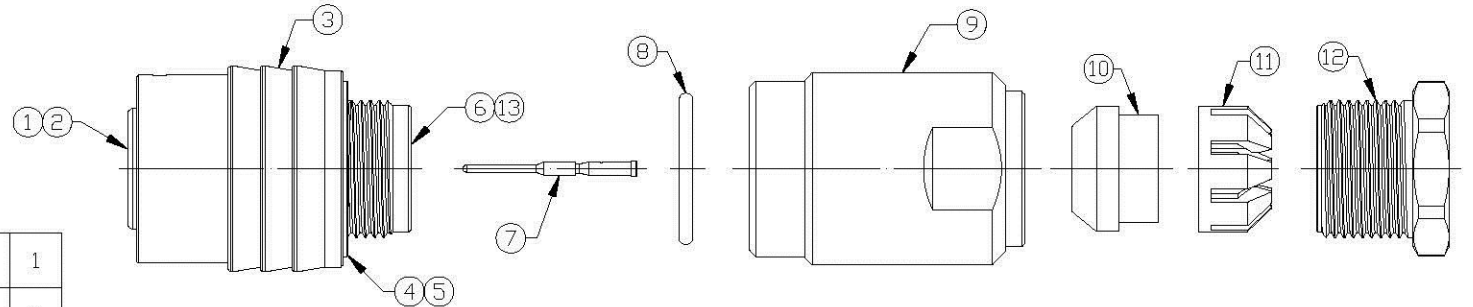
4

Notes: (Unless Otherwise Specified)

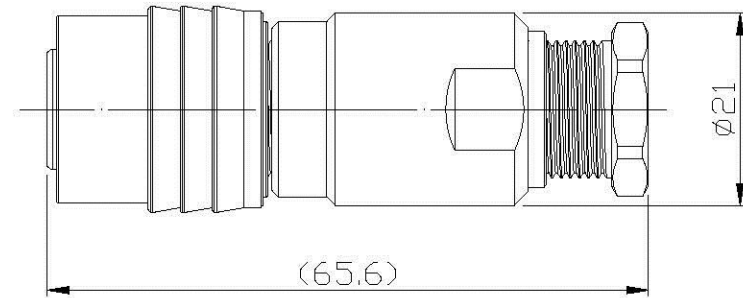
- 1. Waterproof Rate : IP68
- 2. Cable Diameter: 7.0 to 8.0 mm
- 3. Recommend Cover Torque: 15~16 Kgf-cm
- 4. Recommend Gland Nut Torque: 19~20 Kgf-cm
- 5. RoHS Compliant

REV	ECN#	DESCRIPTION OF REVISION	DRAW BY DATE	CHECK BY DATE	APPROVE BY DATE
01			Hank 04/18/13	Ray 04/18/13	Ray 04/18/13

**GTC**  
**R&D DEPT. ISSUE**  
**APR.19.2013**  
**ONLY FOR**  
**RELEASE**



Pin Assignment



D

D

C

C

B

B

A

A

13	C-Ring	SUS Finish: -	1
12	Metal Gland Nut	SUS Finish: -	1
11	Cage	Thermoplastic Color: White	1
10	Gland	Silicone Color: Red	1
9	Metal Cover	SUS Finish: -	1
8	O-Ring	Silicone Color: Gray	1
7	Contacts	Copper Alloy Finish: Au Plated	12
6	Base	Thermoplastic Color: Black	1
5	Metal Holder	SUS Finish: -	1
4	Spring	SUS Finish: -	1
3	Metal Push Nut	SUS Finish: -	1
2	Housing	Thermoplastic Color: Black	1
1	Metal Body	SUS Finish: -	1
Item	Part Name	Material / Finish	Qty

TITLE Push Lock M16 Metal 2A 12P SUS303 Field Installable  
 Cable End Male Crimp

DRAWING NUMBER GT261211-12122 REV: 01

	B	1:1	Hank 04/18/13	Ray 04/18/13	Ray 04/18/13	X.X ± 0.5 X.XX ± 0.2	XXX ± 0.05 ANGLES ± 1°	MM	1/1
THIRD ANGLE PROJECTION	SIZE	SCALE	DRAW / DATE	CHECK / DATE	APPROVE / DATE	TOLERANCES	UNIT	SHEET	

**Allconnectors**  
 www.allconnectors.de  
 Tel.: 0745 711 7099502  
 70794 Filderstadt - Germany

info@allconnectors.de  
 Fax: 0745 711 7099504  
 Kettnerstr. 25

THE INFORMATION CONTAINED HEREIN IS THE PROPRIETARY PROPERTY OF GT Contact CO., LTD THE POSSESSOR AGREES TO THE FOLLOWING:  
 (O) TO MAINTAIN THIS DOCUMENT IN CONFIDENCE  
 (N) NOT TO REPRODUCE OR COPY IT  
 (R) NOT TO REVEAL OR PUBLISH IT IN WHOLE OR PART  
 (V) ALL RIGHTS RESERVED

1

2

3

4